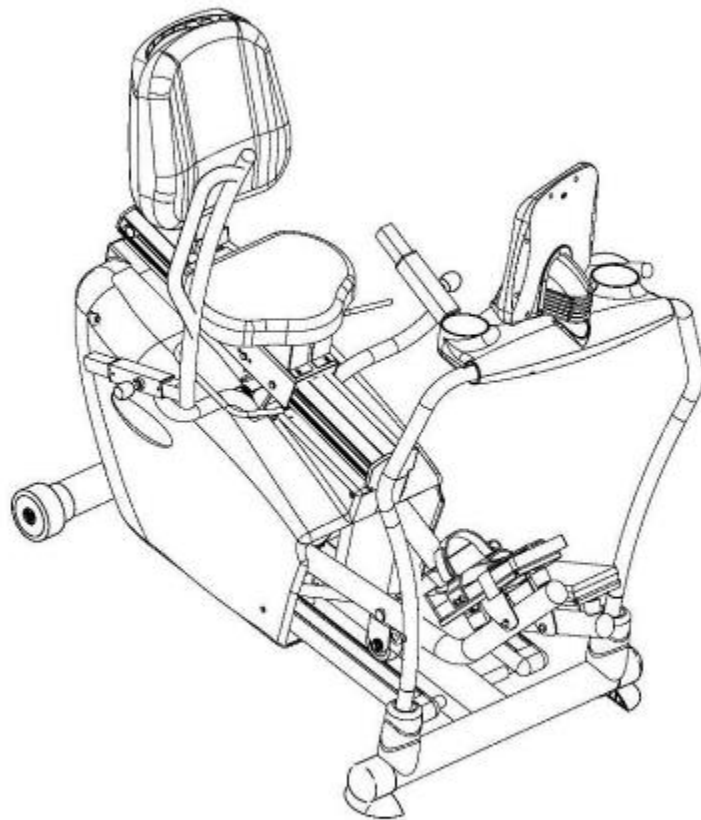


PhysioStep

RXT

Owner's Manual V.2.2



HealthCare International, Inc.
PO Box 1509, Langley, WA 98260
www.HCIFitness.com – sales@hCIFitness.com
P: (360) 321-7090 or (800) 398-9121

Table of Contents

Safety Precautions	2
Warranty Information	3
Assembly Instructions.....	4
Quick Tips.....	7
Levelers	7
Seat Adjustments	7
Quick Start.....	7
Heart Rate	7
USB Workout Summary Report.....	7
PhysioStep RXT Display Console	8
Button Functions.....	9
Quick Start –Sit, Start, & Step!	10
Select a Workout Program.....	10
Setup your Workout Programs	11
User Setup.....	11
1. Basic Programs.....	12
2. Heart Rate Programs (HR 65% / HR 85%)	13
3. Constant Programs (SPM / WATTS)	14
4. Goal Set Programs (Calories / Distance)	15
Cool Down Mode.....	16
Workout Summary Mode	16
Export Workout Summary to USB	16
Sleep Mode	17
Recovery Mode.....	18
Using Optional Heart Rate Monitors.....	18
General Maintenance	18
General Display Information	19
Exploded Diagram.....	20
Parts List	21

Safety Precautions

This exercise equipment was designed and built for optimum safety. However, certain precautions apply whenever you operate a piece of exercise equipment. Be sure to read the entire manual before assembly and operation of this machine.

Also, please note the following **safety precautions**:

1. Read all instructions carefully before using the machine.
2. Consult your physician or other health care professional before beginning this or any type of exercise program.
3. Always wear proper exercise apparel when using the machine.
4. If at any time you feel faint, light-headed or dizzy while operating the machine, stop exercise immediately. You should also stop exercising if you are experiencing pain or pressure.
5. Keep children and pets away from the machine while in use.
6. Only one person can use the machine at a time.
7. Make sure your machine is correctly assembled before you use it. Be sure all screws, nuts, and bolts are tightened prior to use and retighten periodically.
8. Do not operate this or any exercise equipment if it is damaged.
9. Keep hands and feet away from any moving parts. Do not insert any objects into any openings.
10. Keep clothes, jewelry and loose items away from moving parts.



NOTE:

**MAXIMUM WEIGHT CAPACITY FOR THE
PHYSIOSTEP RXT IS 350 LBS. (136 KGS)**

WARNING:

BEFORE BEGINNING ANY EXERCISE PROGRAM CONSULT YOUR PHYSICIAN. THIS IS ESPECIALLY IMPORTANT FOR INDIVIDUALS OVER THE AGE OF 35 OR PEOPLE WITH PRE-EXISTING HEALTH PROBLEMS. READ ALL INSTRUCTIONS BEFORE USING THIS FITNESS EQUIPMENT. WE ASSUME NO RESPONSIBILITY FOR PERSONAL INJURY OR PROPERTY DAMAGE SUSTAINED BY OR THROUGH THE USE OF THIS PRODUCT.

Dear Valued Customer,

Thank you for your recent purchase of the **PhysioStep RXT** from HCI Fitness. We believe that you have purchased one of the highest quality and affordable recumbent elliptical on the market today. Prior to using your new **PhysioStep RXT** please review the operator’s manual and product tips to maximize your workout experience.

Wishing you the best of luck in reaching your health and fitness goals!

HealthCare International is a leading supplier and distributor of innovative products for Health, Wellness, Fitness & Active Aging. Visit our website – www.HCIFitness.com for information on all of our products.

Warranty Information

(Your Serial Number is found on a white sticker at the rear base of the unit, the front of the user manual, and on the box)

Serial #: _____ **Purchase Date:** _____

3 Year Parts Warranty, One Year Labor, Lifetime Main Frame

NOTE

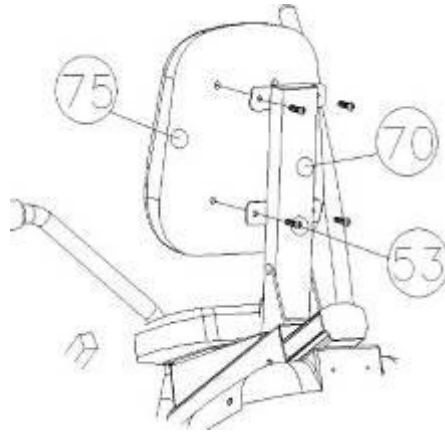
Before you start to assemble this unit, please note that some of the parts and screws needed for assembly are already in place on the unit.

TOOL SET:

Tool	QTY
(100) 5mm Allen W rench Tool	1
(83) Extended 6mm Allen W rench Tool	1
(99) 13*15 Screwdriver/W rench Combo Tool	1

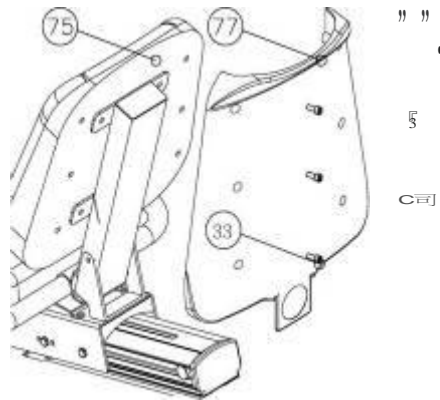
Assembly Instructions

STEP 1: Assembling the Seat Back



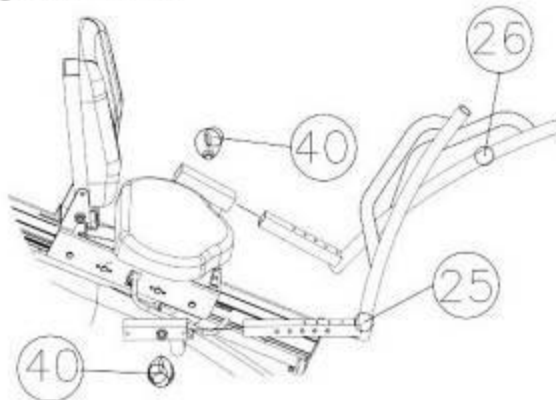
Remove the Bolts (53) from the seat back (75). Attach seat back (75) to seat back support (70) using the bolts from the seat back (53). Secure the bolts tightly.

STEP 2: Assembling Seat Back Cover



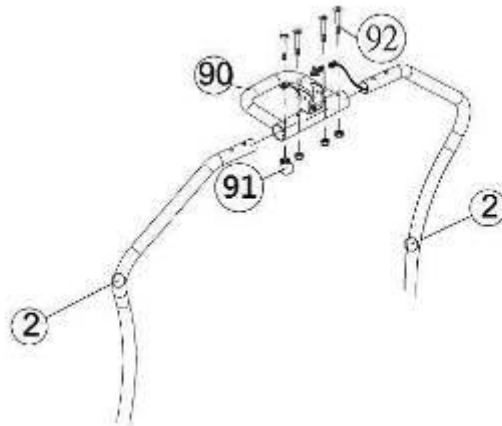
Attached seat back cover (77) onto the seat back (75) using bolts (33) to secure tightly.

STEP 3: Assembling the Arms



Insert Right Arm (25) and Left Arm (26) into corresponding brackets. Use the Knob (40) to fix arms at desired position. The arms can be adjusted by unscrewing and pulling the pop knob (40).

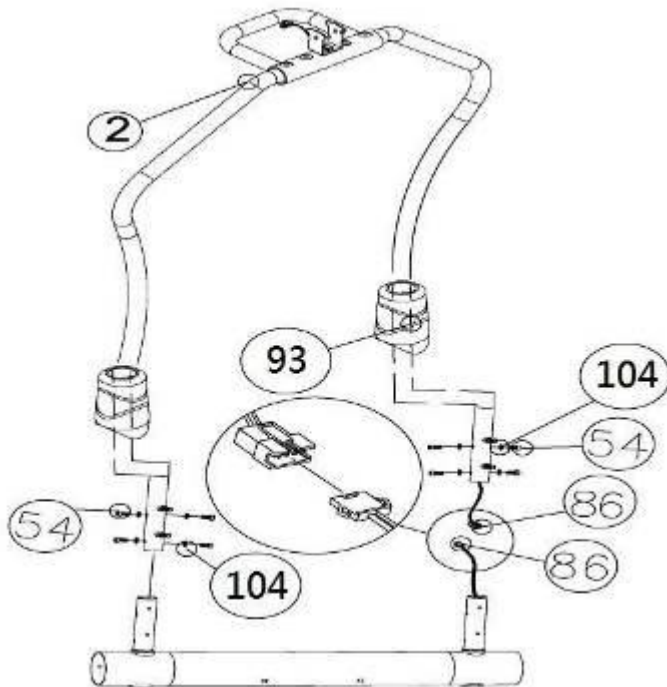
STEP 4: Assembling the Display Support



Wire Pinch Point

Insert the handle posts (2) into the meter holder (90). Carefully feed the wire through the meter holder (90) so that the wire does not pinch. Then secure the handle posts and meter holder together using nuts and bolts (47) (92).

STEP 5: Connect Front Handle Post

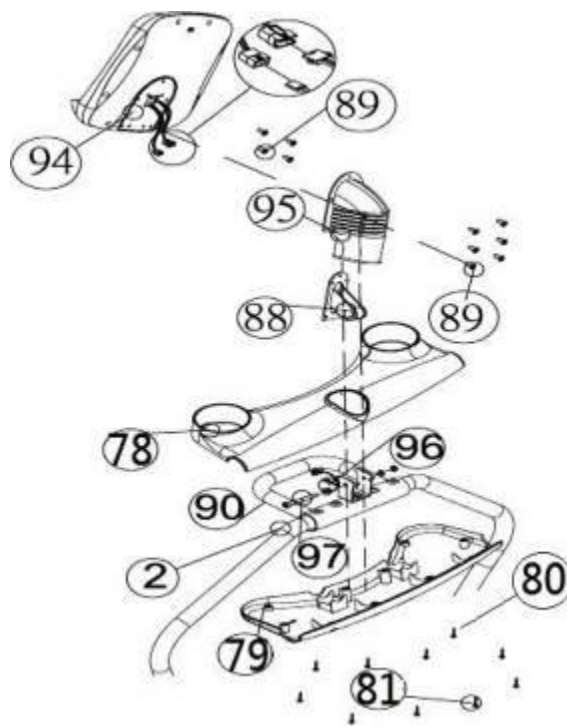


Wire Pinch Point

Insert the handle posts (2) into the plastic covers (93). Carefully connect the wire (86) from the handle post assembly to the base of the unit. Be sure not to pinch the wire when connecting the sections.

Once the wire is connected the handle post assembly is ready to be secured to the base of the unit using bolts with washers (54) (110). Hold the plastic covers up while tightening the bolts and slide them to the bottom when all the bolts have been tightened.

STEP 6: Attaching Water Bottle Holder and Display Console

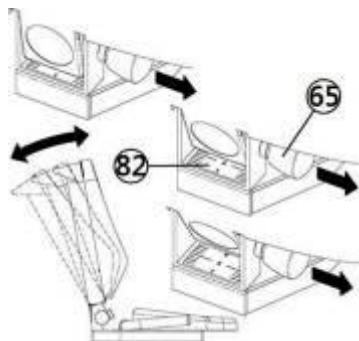


Wire Pinch Point

Put the rubber display cover (95) into the upper half of the water bottle holder (78) feed the wire through the opening. Then place the upper half of the water bottle holder (78) on top of the handle bar assembly (2) and connect it to the lower water bottle holder (79) using screws (81). Next, connect the wire to the display (94) and secure the display (94) to the display bracket (88) using bolts (89).

Attach the display bracket (88) to the handle bar assembly (2) using a nut and bolt (97) (96). Carefully feed the wire through the display bracket so that it will not be pinched. Be sure not to pinch the wire while attaching the display. Finally attach the rubber display cover (95) to the display (94) using bolts (89)

STEP 7: Seatback Adjustment



Pull out the back seat knob to adjust the angle of seat back.

Quick Tips

Self-Powered Unit

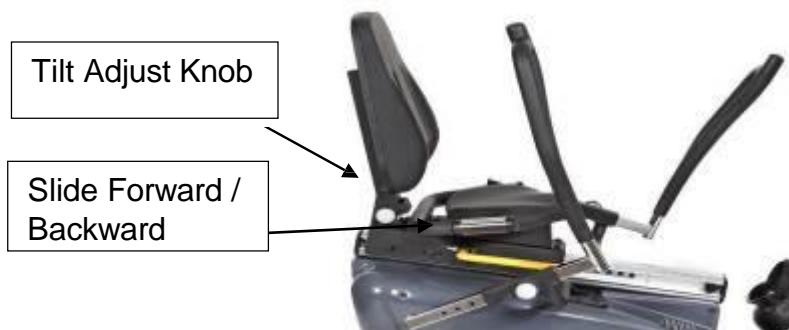
The **PhysioStep RXT** is self-powered and does not need to be plugged into an outlet. The display will automatically turn on once you start moving the arms or feet.

Levelers:

There are levelers in the front of the unit, beneath the shroud. Please adjust the levelers to stabilize the unit on your floor.

Seat Adjustments:

The **PhysioStep RXT** seat position can be adjusted forward and backward by pulling the yellow bar located on the right side of the seat. In addition you can adjust the tilt of the **PhysioStep RXT** seat back by pulling the knob located on the back cushion support.



Quick Start:

If you would like to start a simple workout, press the Start Button and use the arrows to set the resistance. It will automatically start you at level 1.

Heart Rate:

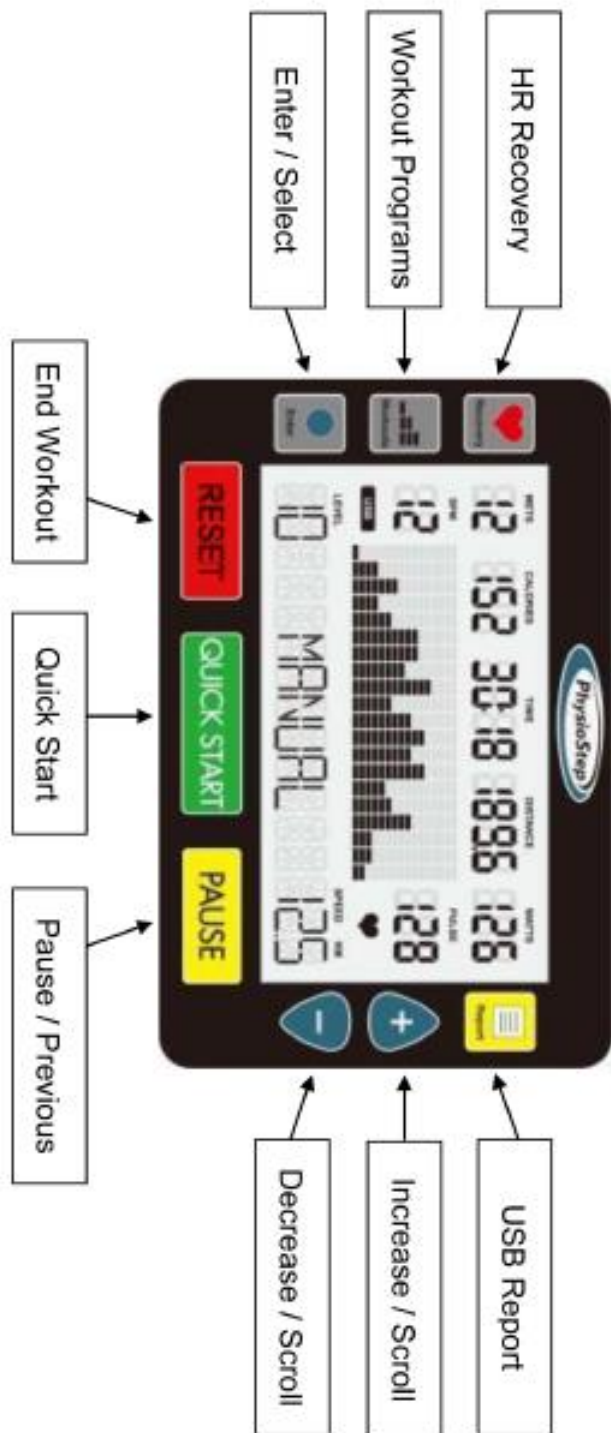
If you would like to monitor your heart rate while using the **PhysioStep RXT**, simply place your hands on the contact heart rate. You can also connect a wireless heartrate receiver such as POLAR.

USB Workout Summary Report:

The **PhysioStep RXT** features a USB workout summary report. The USB slot is located on the back of the display. Simply insert a USB into the back of the display before you start your work out and press the **REPORT** button when you are finished with your workout. Please view **page 16** for more detail.

The USB workout summary feedback reports total time, total calories, total distance, as well as Averages and Peaks for METS, WATTS, Heart Rate, Steps Per Minute, and Speed.

PhysioStep RXT Display Console



Button Functions

1. QUICK START BUTTON

1.1. Pressing the **QUICK START** button starts a manual workout.

2. ENTER BUTTON

2.1. The **ENTER** button selects programs and confirms data entry.

3. [+] / UP BUTTON

3.1. Press the **[+]** button to increase values.

3.2. Holding the **[+]** button will rapidly increase values.

4. [-] / DOWN BUTTON

4.1. Press the **[-]** button to decrease values.

4.2. Holding the **[-]** button will rapidly decrease values.

5. WORKOUTS BUTTON

5.1. Before you start your workout, press the **WORKOUTS** button to choose a preset program. Continue to press the **WORKOUTS** button to cycle through the programs.

5.2. If you have already started a workout, press **RESET** twice then use the **WORKOUTS** button as explained above.

6. RECOVERY BUTTON

6.1. The recovery function is only available when using a HR monitor.

6.2. Press the **RECOVERY** button to enter the cool down mode.

6.3. When in the recovery mode, all other buttons are disabled.

7. PAUSE BUTTON

7.1. While exercising press the **PAUSE** button to pause your workout. The display will show "*Press QUICKSTART to resume or RESET for workout summary*".

7.2. Press the **QUICKSTART** button to resume your workout.

7.3. Press the **RESET** button to view your workout summary.

7.4. In the Report Mode, the **PAUSE** button will return you to the last step.

8. RESET BUTTON

8.1. To end your workout and view your workout summary press the **RESET** button.

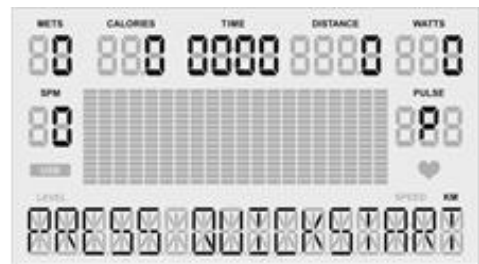
8.2. Holding down the **RESET** button for 3 seconds will reset the display.

9. REPORT BUTTON

9.1. Enables the USB workout report export function in summary mode.

Quick Start – Sit, Start, & Step!

1. Adjust your seat and handles to a comfortable position allowing your legs and arms to use the full range of motion. Move the arms or legs to power the unit.
2. Press the **QUICK START** button.
3. Start Stepping! You can use **[+] / [-]** buttons to adjust the resistance level at any time during your workout.



OR

Select a Workout Program

1. Press the **WORKOUTS** button to view programs.
2. To scroll through the different programs continue to press the **WORKOUTS** button.
3. Then press the **Enter** button to select your desired workout program.
4. Follow the steps described in the next section to start your desired workout.

If you have not selected anything after 5 minutes the display will automatically power off.

Setup your Workout Programs

Before starting your workout make sure that your seat is comfortably adjusted.

NOTE: Use the **WORKOUTS** button to cycle through programs. Press the **WORKOUTS** button again to view the next workout. Press **ENTER** to select your desired workout.

User Setup:

After selecting your desired workout the first step is to enter your user information. This step will be the same for all workouts.

*Use the **PAUSE** button to return to the previous step when entering user info.*

Gender: Use the **[+] / [-]** buttons to change Male (**M**) or Female (**F**).

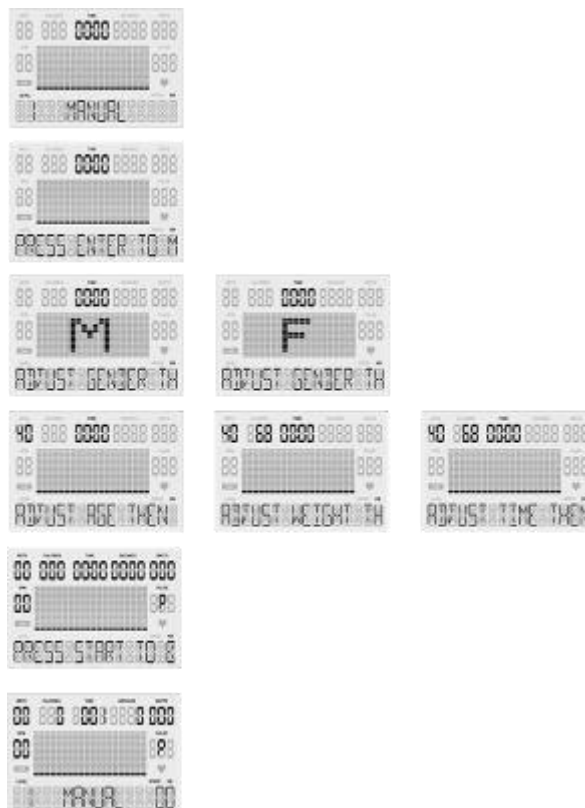
Press the **ENTER** button to set gender.

Age: Use the **[+] / [-]** buttons to change your age.

Press the **ENTER** button to set age.

Weight: Use the **[+] / [-]** buttons to change your weight.

Press the **ENTER** button to set weight.



1. Basic Programs

Manual, Warm Up, Interval, Valley, Ramp, Mountain, Rolling, Climb, Random, Hill, Fat Burn, Cardio, and Strength.

1.1. **User Setup** - You will be prompted gender, age, weight, and time.

Use the **PAUSE** button to return to the previous step when entering user info.

1.2. **Set Time:** Use the **[+]** / **[-]** buttons to set workout time. (Counting Down)

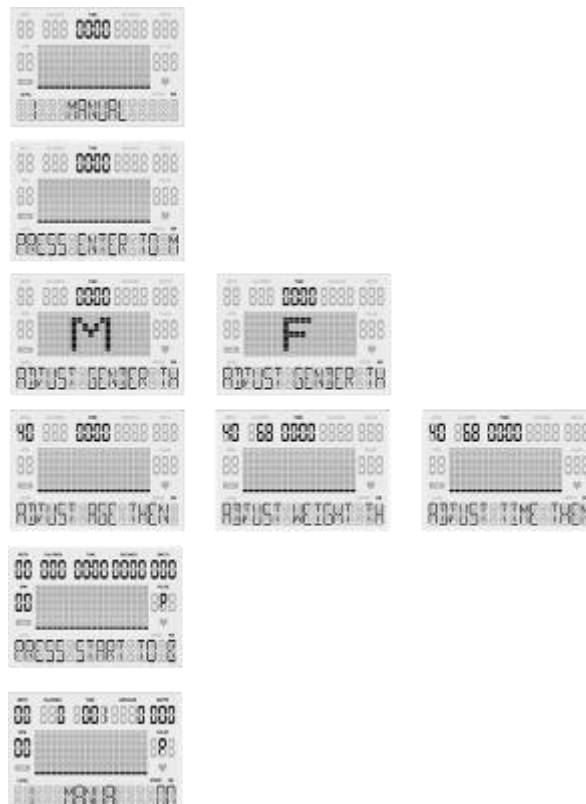
1.2.1.1. Press the **ENTER** button to set workout time.

1.3. Once your user information has been entered press **Quick Start!**

1.4. In the basic programs you can use the **[+]** / **[-]** buttons to change the resistance level.

1.5. Once your workout is complete a 3 minute Cool Down will begin.

Basic Programs Screens



2. Heart Rate Programs (HR 65% / HR 85%) *Requires HR Monitor

2.1. **User Setup** - You will be prompted gender, age, weight, time, & HR.

Use the **PAUSE** button to return to the previous step when entering user info.

2.1.1. **Set Time:** Use the **[+] / [-]** buttons to set workout time. (Counting Down)

2.1.1.1. Press the **ENTER** button to set workout time.

2.1.2. **Pulse:** Use the **[+] / [-]** buttons to change your target heart rate.

(Shown as percentage [65% or 85%] of full target heart rate)

2.1.2.1. Press the **ENTER** button to set your target heart rate.

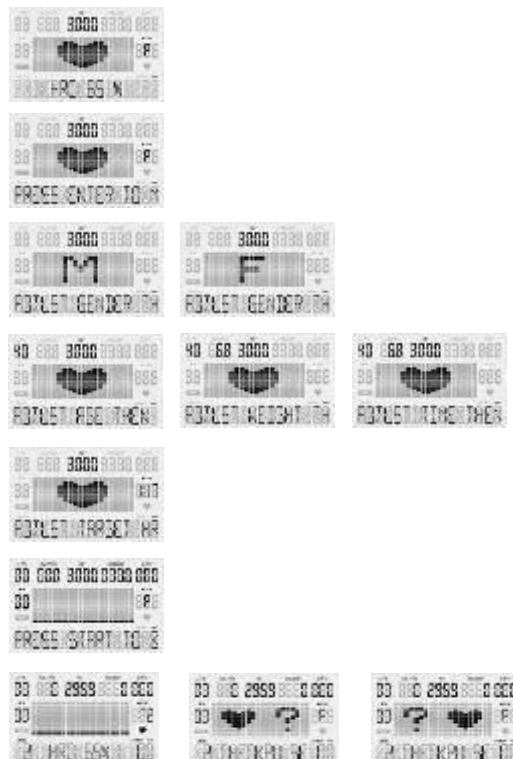
2.2. Once your user information has been entered press **Quick Start!**

2.3. If your heart rate cannot be detected, the screen will show [? ♥] and reset to the home screen.

2.4. In the Heart Rate programs your resistance level will automatically increase or decrease to help reach your target heart rate.

2.5. Once your workout is complete a 3 minute Cool Down will begin.

Heart Rate Programs Screens



3. Constant Programs (SPM / WATTS)

3.1. **User Setup** - You will be prompted gender, age, weight, time & constant.

Use the **PAUSE** button to return to the previous step when entering user info.

3.1.1. **Set Time:** Use the **[+] / [-]** buttons to set workout time. (Counting Down)

3.1.1.1. Press the **ENTER** button to set workout time.

3.1.2. **Set SPM / WATTS:** Use the **[+] / [-]** buttons to change your constant metric.

3.1.2.1. Press the **ENTER** button to set your constant metric.

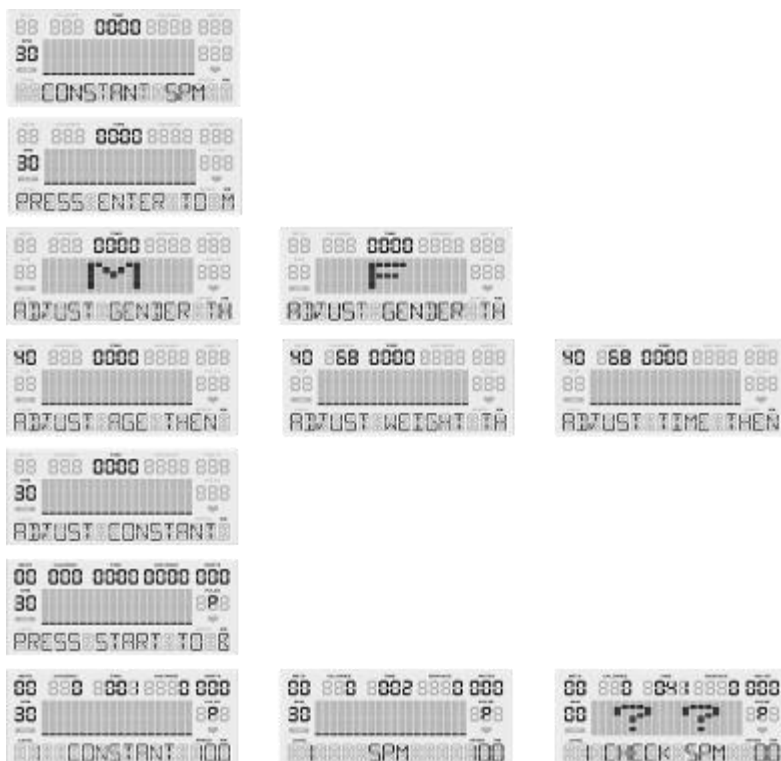
3.2. Once your user information has been entered press **Quick Start!**

3.3. If you are not using the machine, the screen will show "[?] Check SPM"

3.4. In the constant programs your resistance level will automatically increase or decrease to maintain constant SPM or WATTS.

3.5. Once your workout is complete a 3 minute Cool Down will begin.

Constant Programs Screens



4. Goal Set Programs (Calories / Distance)

4.1. **User Setup** - You will be prompted gender, age, weight, time, & goal.

Use the **PAUSE** button to return to the previous step when entering user info.

4.1.1. **Set Time:** Use the **[+] / [-]** buttons to set workout time. (Counting Down)

4.1.1.1. Press the **ENTER** button to set workout time.

4.1.2. **Set Calories / Distance:** Use the **[+] / [-]** buttons to change your goal.

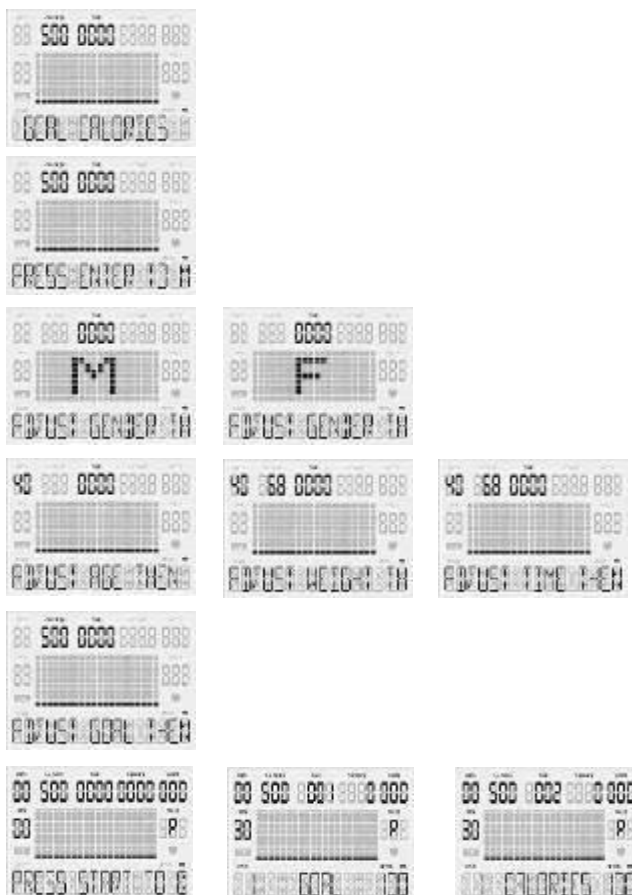
4.1.2.1. Press the **ENTER** button to set your goal.

4.2. Once your user information has been entered press **Quick Start!**

4.3. In the Goal programs your workout will complete once your goal is reached. Use the **[+] / [-]** buttons to change the resistance level.

4.4. Once your workout is complete a 3 minute Cool Down will begin.

Goal Set Programs Screens



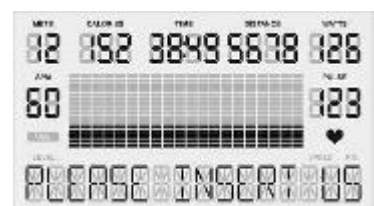
Cool Down Mode

1. After completing your workout program a **3 minute cool down** will automatically start.
2. Press the **PAUSE** button to pause your cool down, and **QUICK START** to resume your cool down.
3. Press the **RESET** button to skip the cool down and view workout summary.

Workout Summary Mode

** After cool down mode, the display shows workout summary**

1. The workout summary mode displays your personal data as shown below:
Total Time, Distance and Calories; as well as Average METs, WATTS, Steps per Minute (SPM) and Pulse.



Export Workout Summary to USB

USB Slot Located on Back of Display

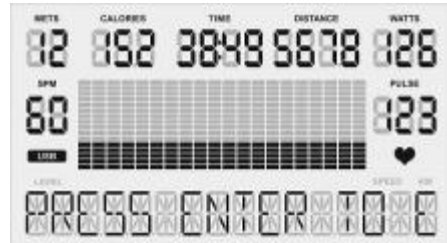
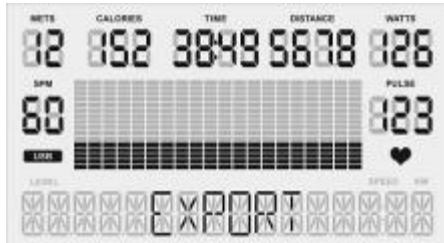
1. Insert your USB into the USB slot on the back of the display.
2. When the USB is correctly inserted the display will show the symbol “USB.”
3. When you have completed your workout and are on the Workout Summary Mode screen, press the **REPORT** button to begin the export process.
4. Press the **ENTER** button twice to set your Workout ID.



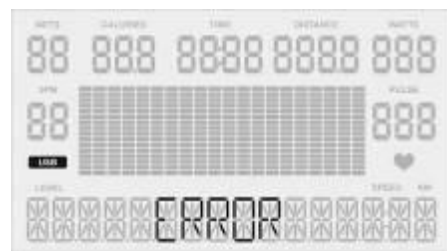
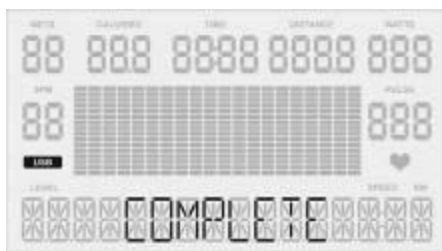
5. Use the **[+]** / **[-]** buttons to scroll through values (a-z and #0-9). Press the **ENTER** button to select a value and move to the next space.
6. Set your ID by pressing the **ENTER** button until you reach the last space.

PLEASE NOTE: At any time you can press **PAUSE** to return to the previous step.

- After you have set your personal ID, press **ENTER** to select the date (Day / Month / Year). Use the **[+] / [-]** buttons to scroll through the values [a-z and #0-9]. Once the date is selected, press the **ENTER** button to confirm and complete.



- Once the date is complete, the display will show the messages “*Export*” and “*Press Enter to Export Data*”. Press the **ENTER** button to export your workout summary report to USB. Saving your workout summary will take a few seconds.
- Your workout summary report will be saved in a .csv file that you can open in excel. The display will read “*Complete*” when it has been exported successfully.
- If there is an error during the data export, the display will read “*Error*.” If this happens, press the **PAUSE** button to return to the previous step and export again.



Sleep Mode

- If you do not use the unit for five minutes the display will automatically power off.
- In sleep mode, the LCD monitor will be powered off; any buttons or USB functions will be disabled.
- To wake the unit – start using the machine again and it will power on.

Recovery Mode

**Requires HR Monitor*

1. At any time during a workout program you can press the **RECOVERY** button to enter the recovery mode to see how quickly your body returns to its resting heart rate.
2. Once in the recovery mode the user's peak heart rate is displayed on the top left with the active heart rate below. You will have 1 minute to monitor your heart rate in recovery mode.
3. When the recovery is complete, the screen will display: Excellent (F1.0), Very Good (F2.0), Good (F3.0), Satisfactory (F4.0), Sufficient (F5.0) or Fail (F6.0) based on the rate of recovery.
4. P0 = the user's heart rate when the recovery mode was initiated.

P1 = the user's heart rate after completing the recovery mode.

Using Optional Heart Rate Monitors

1. Chest Strap

- 1.1. In order to insure the chest strap is working correctly please refer to the manufacturer's instructions. In general, the chest strap must remain wet to accurately work. Moistening the electrodes is very important. Be sure to fasten the strap correctly below your pectoral muscle.

General Maintenance

1. **Cleaning** - Use soap and warm water or antibacterial wipes to clean your unit.
2. **Tightening** - Periodically inspect your unit to insure that all screws, nuts, and bolts are tightened and retighten if necessary. Do not over tighten.

General Display Information

1. Gender

- 1.1. Men are MALE, Women are FEMALE (preset value is MALE).
- 1.2. The display shows [M] / [F] when setting.

2. Age

- 2.1. The age range is between 10 and 99, preset value is 40 years old.
- 2.2. Age is shown in the top left of the display in the METS window.

3. Weight

- 3.1. The weight range is between 40 – 400 lbs (30 – 180 KG), preset value is 150 lbs (68 KG).
- 3.2. Weight is shown next to age in the calories window.

4. Target Heart Rate (THR)

- 4.1. Using the Heart Rate Control (HRC) programs the user can train at 65% or 85% of their target heart rate.
- 4.2. When setting age in the Heart Rate Control programs, the computer will calculate a proposed target heart rate for the user. The target heart rate shown on the screen is a percentage (65% or 85%) of your full target heart rate. You can adjust your target heart rate using the **[+]** / **[-]** buttons and set your desired target heart rate by pressing **ENTER**.
- 4.3. Target Heart Rate Formula = $(220 - \text{AGE}) * X\%$

NOTE: Target Heart Rate Function is only available when using a HR monitor.

5. Pulse

- 5.1. When using a heart rate monitor, your heart rate will show in the pulse window on the right side of the display. If your heart rate cannot be detected, the pulse window will show (_P_).

6. Units

- 6.1. Miles are denoted as M, Kilometers are denoted as KM. Preset value: **M**
- 6.2. To change units please view the Change Units Section on page 21

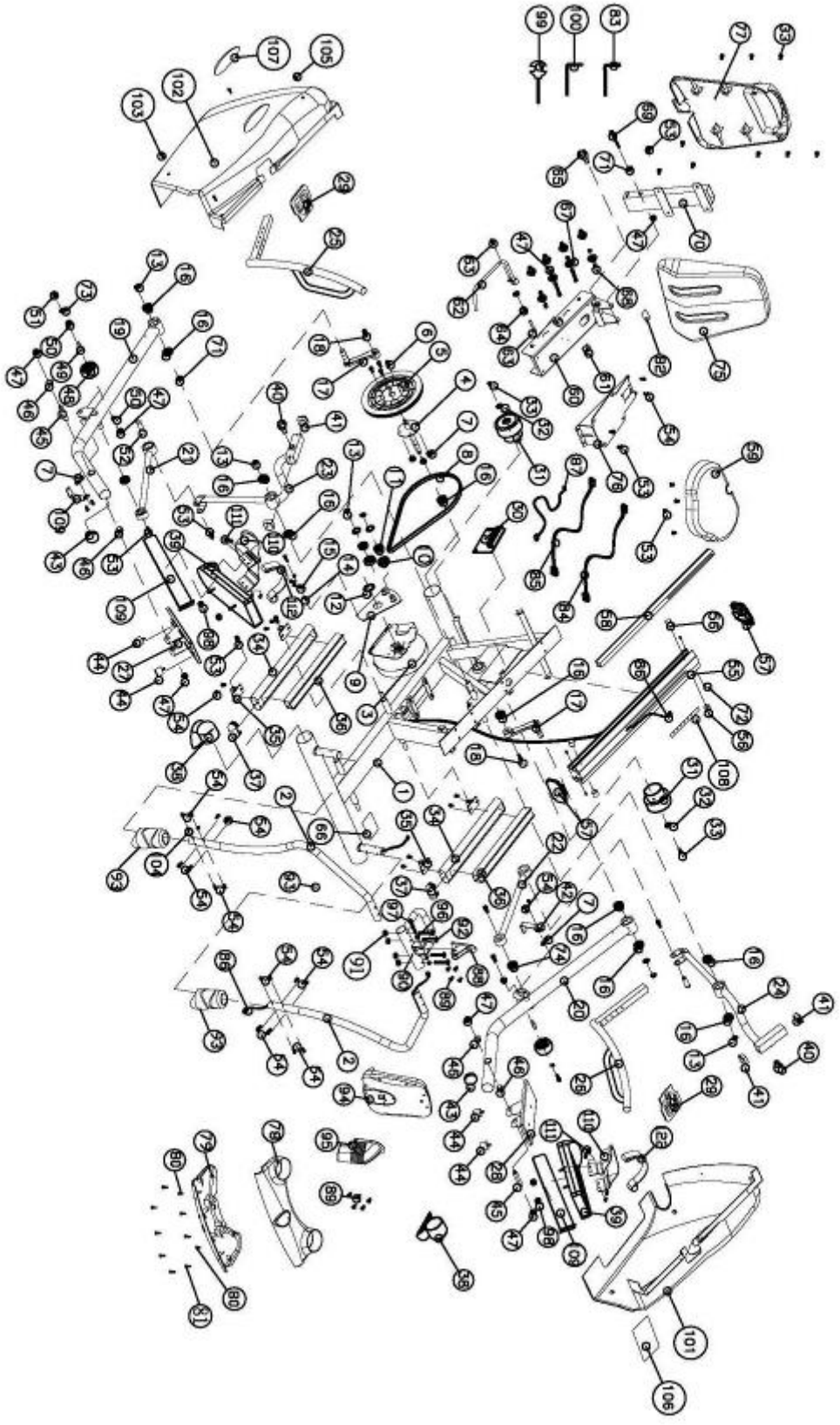
7. METs

- 7.1. The Metabolic Equivalent of Task (MET), or simply metabolic equivalent, is a physiological measure expressing the energy cost of physical activities and is defined as the rate of energy consumption during a specific physical activity.
- 7.2. The range of METs is between 1 – 3 and displays on the top left.

8. Steps Per Minute (SPM)

- 8.1. Calculates your steps per minutes based on your revolutions per minute (RPM). Steps per minute are shown on the left of the display.

Exploded Diagram



Parts List

No.	Description	Q'ty	No.	Description	Q'ty
1	Main Frame	1	52	Axle ϕ 25*52.5L	2
2	Front Handle Post	2	53	Hexagonal Bolt(M8*15L)	24
3	Generator	1	54	Hexagonal Bolt(M6*15L)	30
4	Pedal Axle	1	55	Aluminum Track 783L	1
5	Pulley	1	56	Rubber Cushion	4
6	Mushroom Screw-M6*15L	12	57	Aluminum Track Cover with HCI Logo	2
7	Nylon Nut (M6)	20	58	Aluminum Track Supporter	1
8	Belt-430-6J-PJ1092	1	59	Seat	1
9	Idler Set	1	60	Seat Moving Set	1
10	Idler Wheel ϕ 53* ϕ 43*21	2	61	Plastic Cover 40*80	1
11	Bearing-6204ZZ	2	62	Dipping Handle	1
12	C-Ring-S40	1	63	Pin ϕ 16*67L	1
13	-Ring-S20	10	64	Spring ϕ 2.0* ϕ 18.5*36	1
14	Screw Nuts (M6)	4	65	Knob M16*P1.5*25L	1
15	Metal Parts	1	66	Warning Sticker	1
16	aring-6004ZZ	10	67	Bearing 608ZZ	8
17	Crank	2	68	Bushing- ϕ 8.3* ϕ 12.7*15.5L	4
18	Screw M8*1.25*25L	2	69	Hexagonal Bolt M8*100L	1
19	Pedal Foot (R)	1	70	Back Seat Support	1
20	Pedal Foot (L)	1	71	Washer ϕ 8.5* ϕ 26*1T	8
21	Connecting Parts (R)	1	72	"+" Bolt (ST4*10)	4
22	Connecting Parts (L)	1	73	Washer ϕ 8.2* ϕ 16*2T	7
23	Moving Handle Set (R)	1	74	Bearing 6003ZZ	2
24	Moving Handle Set (L)	1	75	Back Seat	1
25	Moving Handle Set (R)	1	76	Seat Support	1
26	Moving Handle Set (L)	1	77	Seatback Cover	1
27	Pedal Regular Group (R)	1	78	Upper Water Bottle Holder	1
28	Pedal Regular Group (L)	1	79	Lower Water Bottle Holder	1
29	Rubber Cover Moving Handle	2	80	"+"Bolt (ST4*12)	2
30	Lower Control Board	1	81	"+" Bolt (ST4*20)	8
31	Rear Leg Wheel	2	82	Seat Tilt Indicator Label	1
32	Washer OD23*ID8.5*2T	2	83	6m/m L Type Tool	1
33	Screw for roller M8*15L	12	84	Brake Cable Wire 850mm L	1
34	Aluminum Track Base 40*80*470L	2	85	Control Cable Wire 750mm L	1
35	Aluminum Track Base Holder	4	86	Computer Sensor Wire 300mm L	1
36	Aluminum Track 348L	2	87	Square magnetic sensor 24AWG*2C*800mm L	1
37	Plastic Cover 40*80	2	88	Meter Holder Parts	1
38	Front Leg Cover	2	89	Screw M5*20L	10
39	Pedals	2	90	Meter Holder Upper	1
40	Knob M16*P1.5*15L	2	91	Nut M8	4
41	Tube 38*38*75.6L	4	92	Hexagonal Bolt M8*50L	4
42	Moving Leg Stopper 139L*66W*30H*6T	2	93	Cover for front handle post	2
43	Moving Leg Cover	2	94	Meter with Physio Step Sticker	1
44	Rubber Cushion	4	95	Meter Back Rubber Cover	1
45	Alex		96	Rubber Cover Fixing Parts 125*89*2T	2
46	Bushing-CH1265B ϕ 19.3* ϕ 25.5* ϕ 32*15L	4	97	Screw M4*10L	3
47	Nylon Nut (M8)	19	98	Nylon Nut-3/8"	4
48	PU Wheel	2	99	13*15 Tool	1
49	PU Wheel Axle ϕ 15* ϕ 12*ID8.1*44.5L	2	100	5m/m L Type Tool	1
50	Bushing ϕ 12.1*18*21*8.5L	4	101	Back Plastic Cover L	1
51	Screw for roller M8*65L	2	102	Back Plastic Cover R	1

No.	Description	Q'ty	No.	Description	Q'ty
103	Screw ST3/8**25L	2	110	Ankle Support	2
104	Washer OD6.2*ID13*1.2T	32	111	Screw M6*30L	8
105	Mushroom Screw ST4.5*15L	14	112	Pedal Strap	2
106	Warning Sticker	1			
107	Physio Step Logo	2			
108	Stick of Number	1			
109	Pedal Strap	2			

